

Service Trolleys

2 Tier Service Trolley 900 mm

ITEM # _____

MODEL # _____

NAME # _____

SIS # _____

AIA # _____



361216 (CP092)

2-tier service trolley, 900 mm,
100 kg max. load

Short Form Specification

Item No. _____

Constructed in 304 AISI stainless steel. Framework in mm25 tubing, completely welded. Seamless, sound-absorbing, shelves with double-folded edges. Shelves are welded to the framework. N. 4 swivelling castors, two with brakes, mm125 in diameter, fitted with plastic bumpers. Shelves size mm900x600. Load capacity: 100 kg, uniformly distributed.

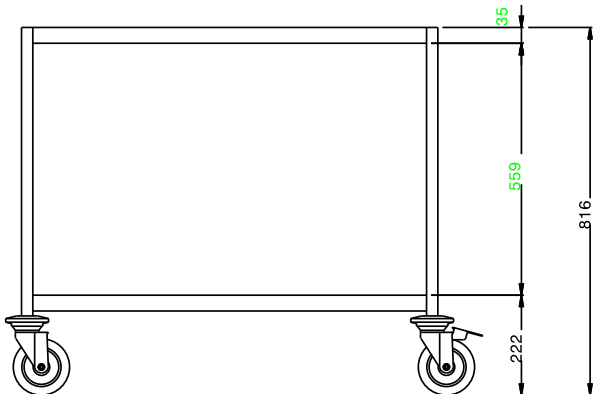
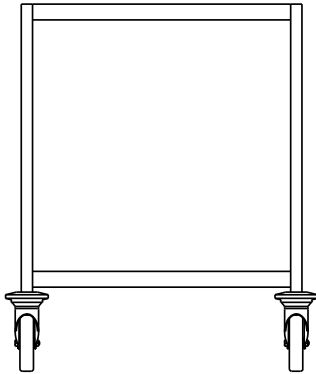
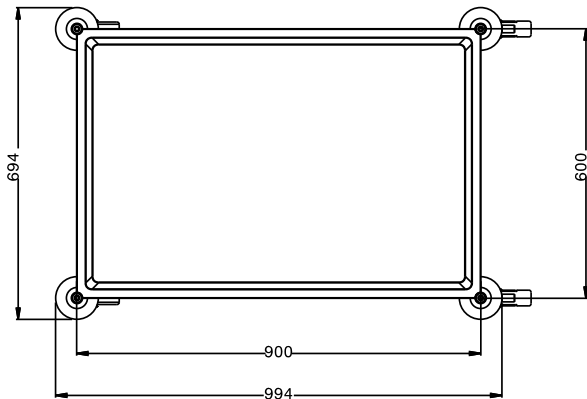
Main Features

- Framework in 25 mm tubing, completely welded.
- Load capacity of 100 kg uniformly distributed.
- Seamless sound-absorbing shelves with double-folded edges welded to the framework.
- Shelves size 900x600 mm.
- 4 pivoting Ø 125 mm wheels, 2 of which with brakes, fitted with plastic bumpers

Construction

- Constructed entirely in 304 AISI stainless steel.

APPROVAL: _____

Front**Side****Top****Key Information:**

External dimensions, Width:

361216 (CP092) 995 mm

External dimensions, Depth: 695 mm

External dimensions, Height: 816 mm

Wheel material: Zinc plated

Wheel diameter: Ø 125

Net weight: 21 kg